

Panel • Glide™

Sectional Overhead Garage Door



The sectional overhead **Gliderol Panel-Glide®** Garage Door is an attractive, high quality garage door manufactured from high strength galvanised steel.

Utilising a vertically opening panel system located behind the structural opening and suspended horizontally from the ceiling the **Panel-Glide®** sectional door allows full use of the driveway for parking. Manufactured in the UK in both single skin and 42mm insulated panels and available in an easy to operate manual version or with the complete luxury of touch-of-a-button automatic remote operation.

Manufactured in a choice of four designs including Georgian panel (Oxford and Hampton) and ribbed (Tuscan and Madison), available in a selection of low maintenance laminate or polyester coated colours.

All Gliderol garage doors and remote control door openers supplied in the UK are CE tested and marked to meet European Union standards ensuring that a **Gliderol Panel-Glide®** garage door provides high levels of safety and security at all times.



GLIDEROL®
GARAGE DOORS
Opening Doors Around the World®



GLIDEROL Opening Doors Around the World®



The **Panel-Glide®** Oxford available in single-skin **Safe-T-Glide®** panel sections and double-skinned **Insul-Glide®** panel sections with door leaf insulation 42mm thick.

For complete peace of mind, **Gliderol** sectional garage doors feature finger proof safety.



 **Panel-Glide®** Oxford
Sectional Overhead
Garage Door



Panel•Glide® Oxford

The **Panel•Glide® Oxford** uses classic Georgian squares to give your garage a traditional look. Each Georgian square is precision pressed in manufacturing with minimal distortion to the steel. Ideally suited with our woodgrain finish, however also available in a smooth finish. A wide range of window options are available with the **Panel•Glide® Oxford**. Each window is meticulously assembled using hard wearing clear or tinted acrylics, allowing additional light to enter the garage and providing a superb finish to the appearance of your garage. See inside back cover for window options.



 **Safe•T•Glide®**
Sectional Overhead Garage Door
Single skin steel panel

 **Insul•Glide®**
Insulated Sectional Overhead Garage Door
42mm Insulated steel panel

 **Glidermatic GTS OPTIMA®**
Premium Sectional Overhead Door Operator



Glidermatic GTS OPTIMA® the premium opener for sectional doors is manufactured using the most up to date electronics, engineering and design technology. Its digitally coded mini transmitter and safe fully enclosed belt or chain drive make it the most advanced door operator around. Gliderol has been at the forefront of designing and manufacturing doors and electronic doors for over 30 years.





GLIDEROL Opening Doors Around the World®



The **Panel-Glide®** Hampton available in single-skin **Safe-T-Glide®** panel sections and double-skinned **Insul-Glide®** panel sections with door leaf insulation 42mm thick.

For complete peace of mind, Gliderol sectional garage doors feature finger proof safety.



Panel-Glide® Hampton

Sectional Overhead
Garage Door



Panel·Glide® Hampton

The Panel·Glide® Hampton range, as with all Panel·Glide® sectional overhead doors, combines the look of timber with the strength of steel. The Panel·Glide® Hampton incorporates rectangular embossments that result in an uncluttered and elegant finish. Available in smooth or woodgrain finish. Panel·Glide® uses a modern design concept which comprises of a number of hinged rigid panels which slide overhead. The door is lightweight and easy to operate with its track and roller system plus accurate torsion spring tensioning. Window options are available, see inside back cover.



 **Safe·T·Glide®**
Sectional Overhead Garage Door
Single skin steel panel

 **Insul·Glide®**
Insulated Sectional Overhead Garage Door
42mm Insulated steel panel

 **Glidermatic GTS OPTIMA®**
Premium Sectional Overhead Door Operator



The Glidermatic GTS OPTIMA® remote controlled garage door opener has taken safety one step further by enclosing the belt-drive in a rollformed steel section. Other safety features are automatic reversing of the door when an obstacle is detected, an overload cut-out if the door is jammed and immediate braking in case of power failure. All electrical components are fully contained in engineered flame retardant plastics. A timeout circuit is also incorporated to prevent motor burnout should the door be electrically functioned when in manual mode.





GLIDEROL Opening Doors Around the World®



The **Panel-Glide®** Tuscan available in single-skin **Safe-T-Glide®** panel sections and double-skinned **Insul-Glide®** panel sections with door leaf insulation 42mm thick.

For complete peace of mind, Gliderol sectional garage doors feature finger proof safety.



Panel-Glide® Tuscan

Sectional Overhead
Garage Door

Colour illustrated Golden Oak



Panel•Glide® Tuscan

One of two new ribbed designs available in the **Panel•Glide®** sectional door range the **Tuscan Panel•Glide®** creates a timber planked style door that is built with low maintenance polyester and laminate steel. Horizontal 'v' grooves create a sleek and contemporary looking garage door.

The **Gliderol Panel•Glide®** is engineered to suit U.K. & European climatic conditions, with low maintenance and long life as priorities. The **Panel•Glide®** sections are manufactured using galvanised coated steel finished in a baked polyester or laminate finish and is designed to provide reliable performance with many years of service.

Tuscan Safe-T-Glide® single skin doors available in woodgrain finish only, **Tuscan Insul-glide®** insulated doors available in smooth or woodgrain finish.



 **Safe-T-Glide®**
Sectional Overhead Garage Door
Single skin steel panel

 **Insul-Glide®**
Insulated Sectional Overhead Garage Door
42mm Insulated steel panel

 **Glidermatic GTS OPTIMA®**
Premium Sectional Overhead Door Operator



The **Glidermatic GTS OPTIMA®** remote controlled garage door opener is whisper quiet. The low voltage (24 volt) motor is rated at 1000N. The **GTS OPTIMA®** operator incorporates a built in feature, which has slow take off and then increases before slowing at the end of travel to ensure no unnecessary strain is placed on components.





GLIDEROL Opening Doors Around the World®



The **Panel-Glide®** Madison available in single-skin **Safe-T-Glide®** panel section and double-skinned **Insul-Glide®** panel section with door leaf insulation 42mm thick.

For complete peace of mind, Gliderol sectional garage doors feature finger proof safety.



Panel-Glide® Madison

Sectional Overhead
Garage Door

Colour illustrated Golden Oak



Panel•Glide® Madison

With clean sharp lines the **Panel•Glide Madison®** is a timber planked style door with wider planks than the Tuscan. Superb styling is achieved using polyster and laminate coated steel without the disadvantages in maintenance, cost and lifespan often associated with true timber products. Available in embossed woodgrain finish only for single skin **Safe-T-Glide** doors and conditionally for smooth **Insul-Glide** doors.



 **Safe-T-Glide®**
Sectional Overhead Garage Door
Single skin steel panel

 **Insul-Glide®**
Insulated Sectional Overhead Garage Door
42mm Insulated steel panel

 **Glidermatic GTS OPTIMA®**
Premium Sectional Overhead Door Operator



Glidermatic GTS OPTIMA® remote controlled garage door opener has inbuilt security features so when the door is closed the motor is electronically locked to prevent unauthorised entry. Most importantly, for your added security the wireless remote control uses a random rolling code with over 2 billion combinations. An automatic courtesy light activates and illuminates your garage for approximately 90 seconds.





Glidermatic GTS OPTIMA® Features

GTS OPTIMA® Powerhead. With a sleek and contemporary chrome/white exterior the 1000N DC motor and heavy-duty 175VA transformer effortlessly operates large residential sectional doors. A durable toothed belt and 24V low voltage motor ensures whisper quiet operation at all times (a three pin power point is required).

GTS OPTIMA® Fully Enclosed Steel Shaft. The fully enclosed steel shaft ensures that working parts are not exposed and remain out of harms way. The shaft's low profile and OPTIMA® mounting brackets ensure it can be installed into most minimal headroom situations.

GTS OPTIMA® Installation. The unit is fixed above the centre of the door parallel to the ceiling and plugged into an owner supplied powerpoint in the ceiling.

Safety Reversing. The GTS OPTIMA® automatically reverses should an obstruction restrict the downward movement of the door, in the case where the door is obstructed on the upward cycle the GTS OPTIMA® immediately stops the door movement.

Soft Start / Soft Stop. The Glidermatic GTS OPTIMA® incorporates a built in feature which allows slow take off with ramp up speed to then slow at the end of travel ensuring no unnecessary strain of components and whisper-quiet opening and closing.

Environmental Friendly LED Lighting. Illuminates your garage when activated for up to ninety seconds enabling you to drive into an illuminated garage at night.

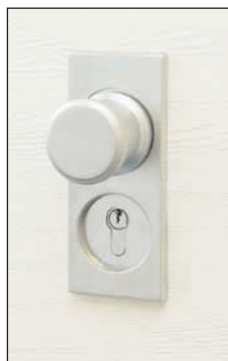
Automatic Closing. The Glidermatic GTS OPTIMA® can be set to automatically close after 90 seconds if so desired.

Manual Release. In the case of power failure the door may be operated in manual mode by the simple activation of the manual release cord. Activating the transmitter will re-engage automatic mode when the power supply is restored.

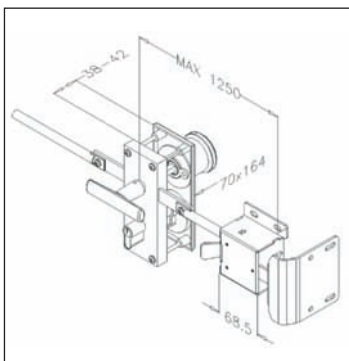
Low Maintenance. Glidermatic GTS OPTIMA® uses hard wearing nylon gearing mechanisms which ensures long life with limited maintenance and no lubrication required.

GTS Transmitter. The 3 button mini transmitter can operate up to 3 doors or 2 doors and a gate. The UHF transmitter operates within line of sight operation for your personal safety. An additional feature of the handset is the facility to use the handset to set the up and down door limits.

Manual door locking system



Brushed Aluminium



Antique Bronze



Chrome



Black



Gold

Glidermatic GTS OPTIMA® Premium Sectional Overhead Door Opener



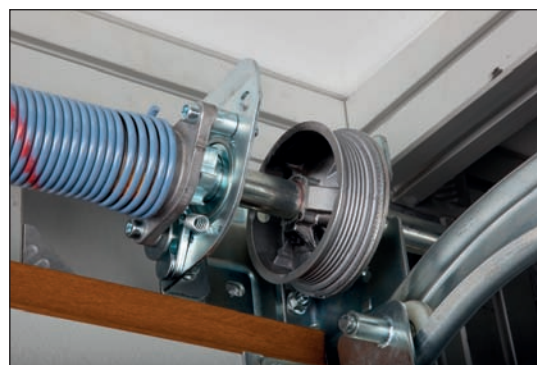
General arrangement of drawbar connector cleat (may vary according to headroom).



Sturdy roller holders and safety tracks ensure door does not derail.



Side frame trap protection ensures fingers cannot get caught.



Torsion spring technology with integral spring safety device ensures the door stops immediately in the event of a spring breaking.

Oxford Range



Traditional Oxford



County Oxford



Sunburst Oxford



Horizon Oxford



Waterton Oxford



Cascade Oxford



Canterbury Oxford



Traditional Oxford



County Oxford



Sunburst Oxford



Horizon Oxford



Waterton Oxford



Cascade Oxford



Canterbury Oxford



White



Racing Green

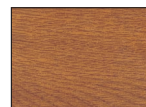


Black



Vandyke Brown

Laminate Colour Selections



Golden Oak



Rosewood

Other colour selections are available upon request

Please Note: Colours shown are as close as possible to actual products as printing allows. We strongly recommend comparing with actual samples.

Hampton Range



Traditional Hampton



County Hampton



Sunburst Hampton



Horizon Hampton



Waterton Hampton



Cascade Hampton



Canterbury Hampton



Traditional Hampton



County Hampton



Sunburst Hampton



Horizon Hampton



Waterton Hampton



Cascade Hampton



Canterbury Hampton



Aluminium profiled rail, incorporating weatherseal strip, on the bottom of the door prevents undesirable material from entering your garage.

European Standards Conformance Characteristics

Air Permeability - EN12426

Safe-T-Glide® single skin doors NT
Insul-Glide® 42mm insulated doors Class 3

Resistance to Water Penetration - EN12425

Safe-T-Glide® single skin doors NT
Insul-Glide® 42mm insulated doors Class 3, 150Pa

Resistance to Wind Load - EN12424

Safe-T-Glide® single skin doors Class 2, 570Pa
Insul-Glide® 42mm insulated doors Class 5, 1100Pa



N.B. Please confirm with office regarding window configurations in relation to door width.

Glidermatic® GTS OPTIMA® Technical Information

Premium Sectional Overhead Door Operator

Pulling Force -Torque	1000N belt, 600N chain
Motor	Powerful 370 watts, 24V DC motor
Transformer	High efficiency - 175 VA
Courtesy Light	Environment friendly LED illumination
Drive Mechanism	Quiet belt and chain (NGTS 2000)
Soft Start / Soft Stop	Yes - 150mm before reaching both upper & bottom limits
Radio Frequency	868 MHz
Code	Rolling code technology
Wall Control	Yes - external push button option
Battery Back-Up	Yes - 1000Ah recommended
Accessory Power Output	Yes - 12V
Rated Door Area - Max	21m ² max
Rated Door Weight - Max	200Kg max belt, 150 kg chain
Manual Release	New easy pull mechanism
Power Off	Auto sensing door distance
Auto Close	Yes - 90 seconds



GLIDEROL Opening Doors Around the World®



Installation Requirements

Standard Headroom Fittings (>200mm)

Front mounted torsion springs

Side Room: 120mm (standard) 80mm (minimum)

Headroom (standard): Manual: 200mm Automatic: 250mm

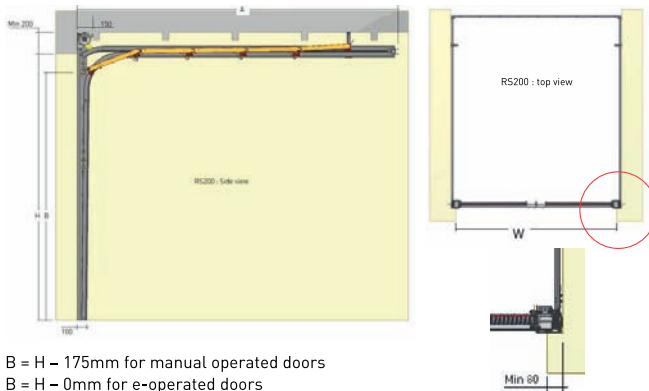
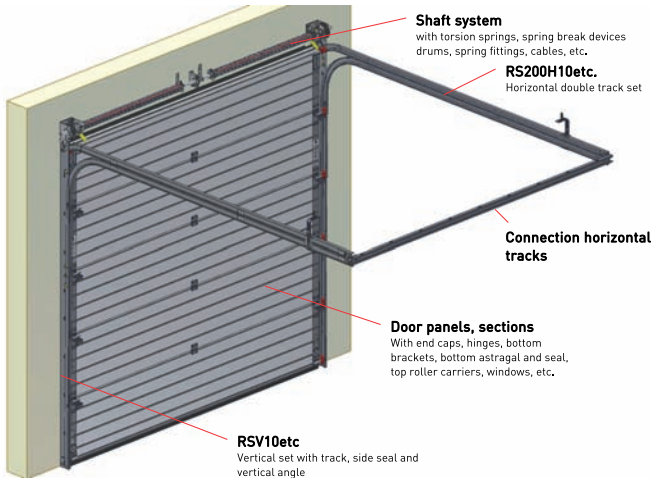
Optional Low Headroom Fittings (<200mm)

Rear mounted torsion springs

Side Room: 120mm (standard) 80mm (minimum)

Headroom (standard) Manual: 75mm Automatic: 100mm

RS200 SYSTEM OVERVIEW



RS70 SYSTEM OVERVIEW

